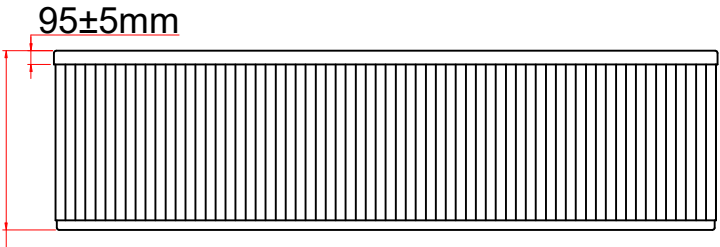
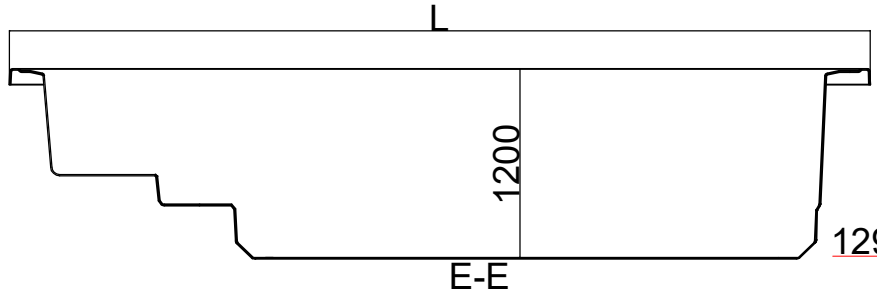
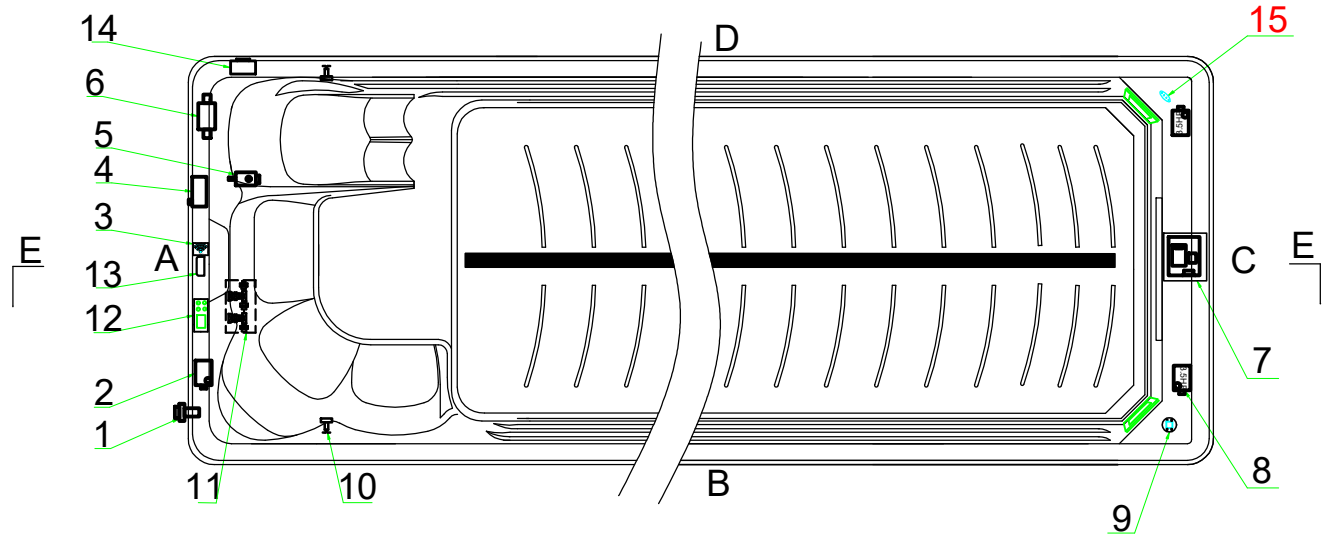


WEAL440-F

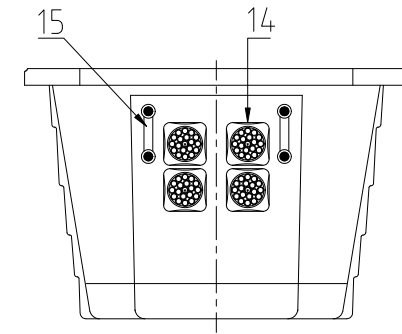
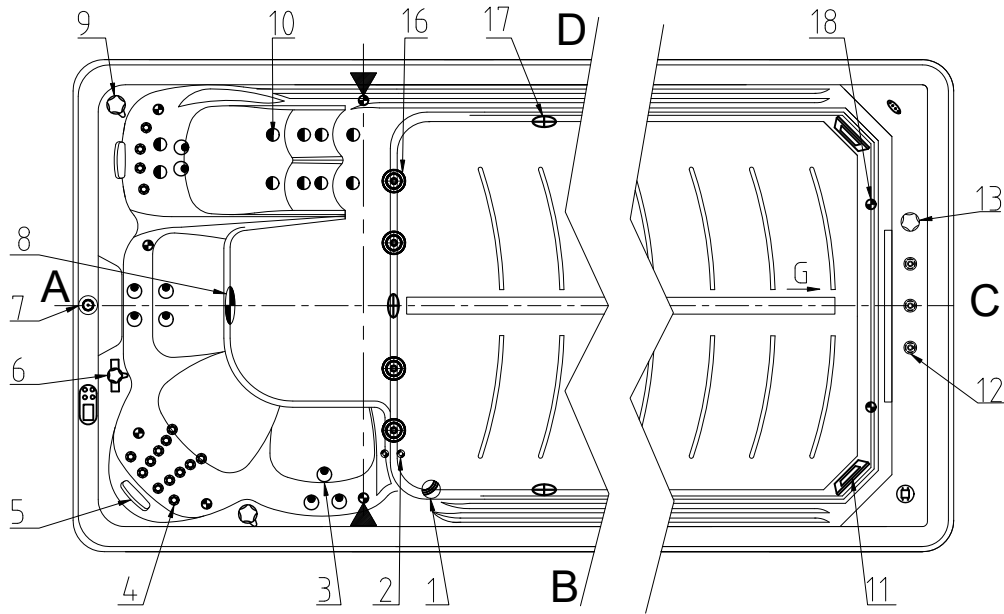
# Business plan



Notes: Due to manufacturing tolerances, there could be some minor differences between the actual spa and the drawing above. If site planning is critical to such tolerances, be sure to measure your actual spa. All specifications are subject to change without notice. Some components may be optional on your spa.

15		Subsidiary Control Panel	1	pcs
14		Subwoofer(Optional)	1	pcs
13		C.Stream(Optional)	1	pcs
12		Control Panel	1	pcs
11		Head Pump Ready Unit(Optional)	1	pcs
10		Transducer Speaker(Optional)	2	pcs
9		Frequency conversion panel	1	pcs
8		3.5HP INVERTER PUMP	2	pcs
7		INVERTER SYSTEM	1	pcs
6		Control Box	1	pcs
5		Circulation Pump	1	pcs
4		CD Ozone Generator	1	pcs
3		WiFi	1	pcs
2		3HP Single Speed Pump	1	pcs
1		Drain Valve	1	pcs

DESCRIPTION	L
WEAL440	4430
WEAL550	5495
WEAL600	5915

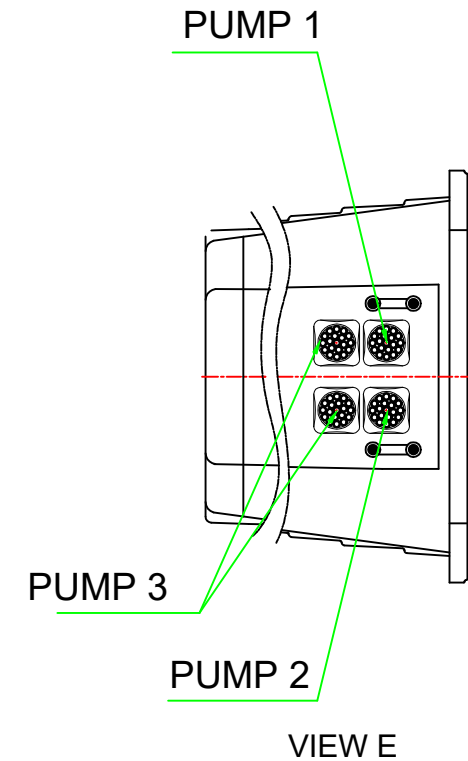
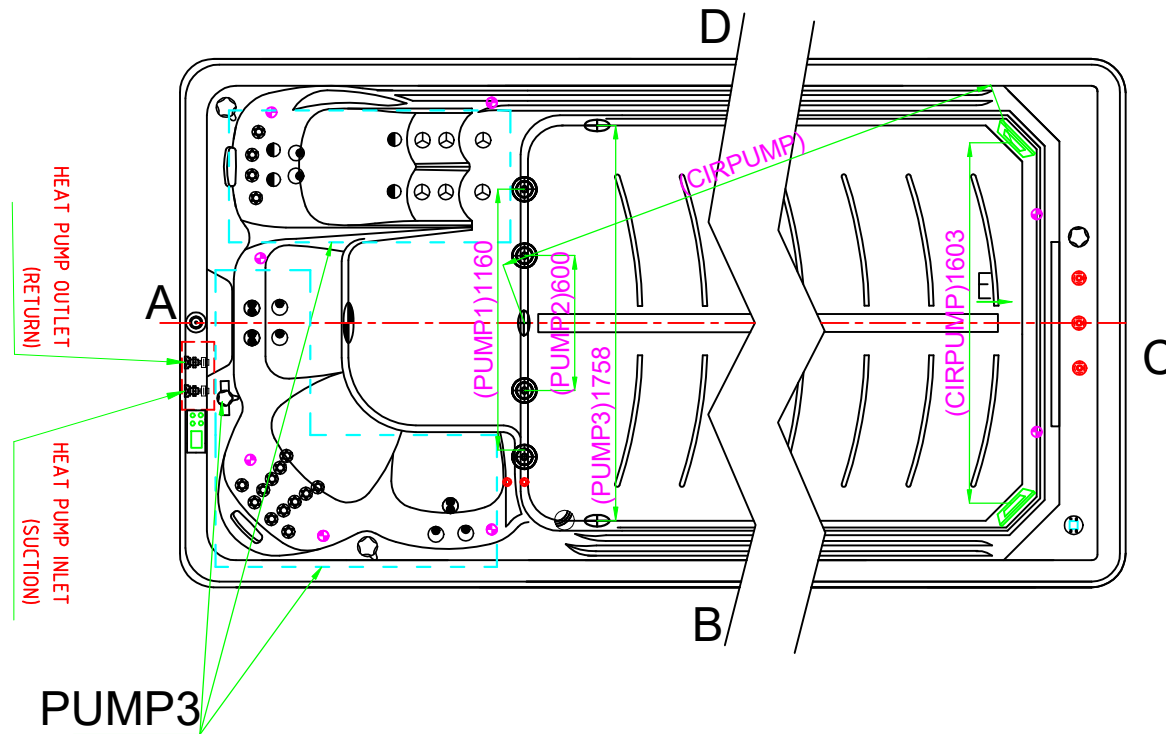


VERSION G

Notes: Due to manufacturing tolerances, there could be some minor differences between the actual spa and the drawing above. If site planning is critical to such tolerances, be sure to measure your actual spa. All specifications are subject to change without notice. Some components may be optional on your spa.

						12		Lifting Fountain	3	pcs
						11		Single Cilinder Skimmer	2	pcs
						10		3 inch Jet Internal-Single Spin	10	pcs
						9		1 inch Air Check Valve Assembly	2	pcs
18		Perimeter LED	WEAL600	18	pcs	8		2 inch Water Diverter Valve	1	pcs
			WEAL550	16		7		5 inch Light Housing Without Holder	1	pcs
			WEAL440	14		6		Swim Base	1	pcs
17		2 inch Suction (Full Set)		3	pcs	5		Headrest	2	pcs
16		3 inch Suction (Full Set)		4	pcs	4		2.5 inch Jet Internal-Directional	16	pcs
15		Handrail		2	pcs	3		4 inch Jet Internal-Single Spin	9	pcs
14		3 inch Turbo Jet		4	pcs	2		Ozone Injector	2	pcs
13		Fountain Valve		1	pcs	1		Star-Shape SS Bottom Drain	1	pcs
NO	ICON	DESCRIPTION		QTY	UNIT	NO	ICON	DESCRIPTION	QTY	UNIT

# Therapy Assignment



Notes: Due to manufacturing tolerances, there could be some minor differences between the actual spa and the drawing above. If site planning is critical to such tolerances, be sure to measure your actual spa. All specifications are subject to change without notice. Some components may be optional on your spa.